

## Features

Patented height and width adjusting track system

Multi width stabiliser settings

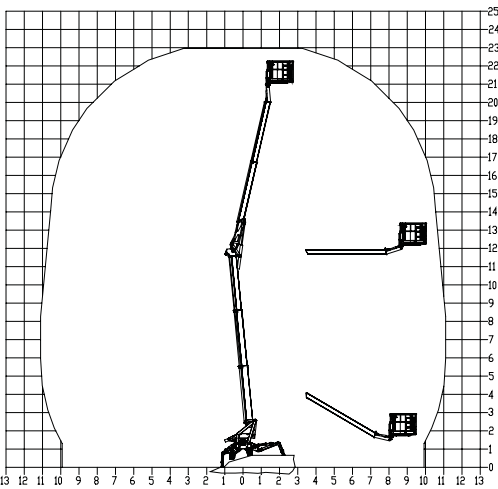
Low weight, transportable by trailer and 4x4 (gross weight <3500kgs with trailer)

Multi cylinder water cooled KUBOTA diesel engine

230v AC motor for indoor use (110v optional)

Non-marking tracks are standard equipment

## LEO 23GT



dimensions in metres

## Leo 23GT

With over 11 metres outreach, the Leo 23GT features a patented 180 degree basket rotator with corner pivot design, invaluable when working around the back of obstacles, such as chimneys and tree branches.

This model is towable with our special trailer behind a 4x4 towing vehicle.



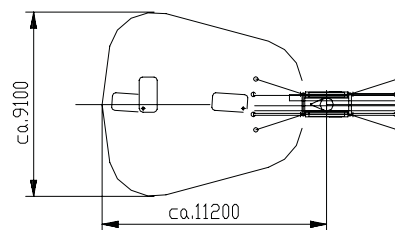
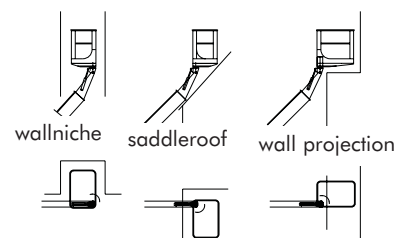
# Leo 23GT



specifications	Leo 23GT
Working height:	approx. 23.00 m
Cage floor height:	approx. 21.00 m
Lateral outreach to either side:	approx. 11.20 m
Safe load on cage:	max. 200 kgs
Rotating working cage:	180°
Overall length in travelling position:	min. 6.20 m
Minimum clearance width:	min. 0.98 m
Overall height in travelling position:	min. 1.98 m
Net weight:	approx. 3010 kgs
Standard jacked area (centre of plate, L x W):	min. 4.10 m x 4.30 m
Min. jacked area (centre of plate):	min. 2.30 m
Max. load on jack plate per plate:	approx. 22.4 kN
Surface load in standard work position:	approx. 1.8 kN/m <sup>2</sup>
Range of rotation standard jacked area:	360°
Limited range of rotation (both sides narrow):	2 x 15°
Limited range of rotation (one side narrow):	192°
Max. ground slope:	approx. 26%
Climbing ability (in direction of traffic):	approx. 30 %
(crosswise to direction of traffic):	approx. 26 %
Driving speed:	approx. 1.3 km/h
Power track:	installed inside



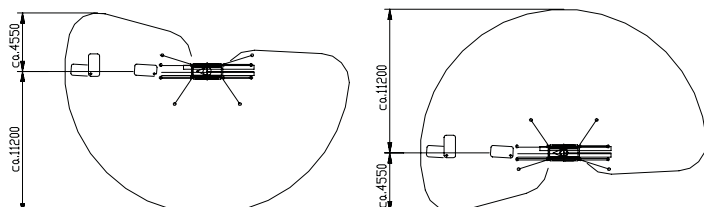
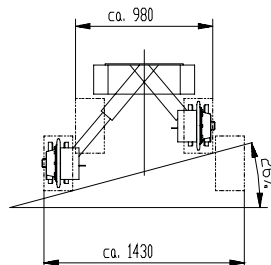
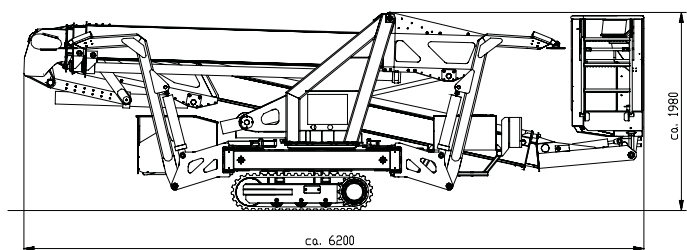
Examples access technology  
Rotation of basket 180° - offset basket



Driving engine Kubota Z-602	
Nominal input voltage:	230 V / 50 Hz
Drawing of current:	12.9 A
Output:	2.2 kW
Additional weight:	approx. 25 kg

Alternative batterydrive	
Nominal input voltage: of battery charger:	230 V / 50 Hz
Hydraulic unit:	48 V / 6 kW
Additional weight:	approx. 180 kg

Specifications are subject to change without notice.



Ranger Equipment Limited.  
Adelphi Way, Staveley, Chesterfield. S43 3LS.  
T 0870 225 5554 F 0207 900 2229  
E info@rangergroup.co.uk  
www.rangergroup.co.uk