

Leo 30T



Features

Trapezoid shaped, self-centering boom design

Patented height adjusting track system

Multi width stabiliser settings

Stair climbing feature

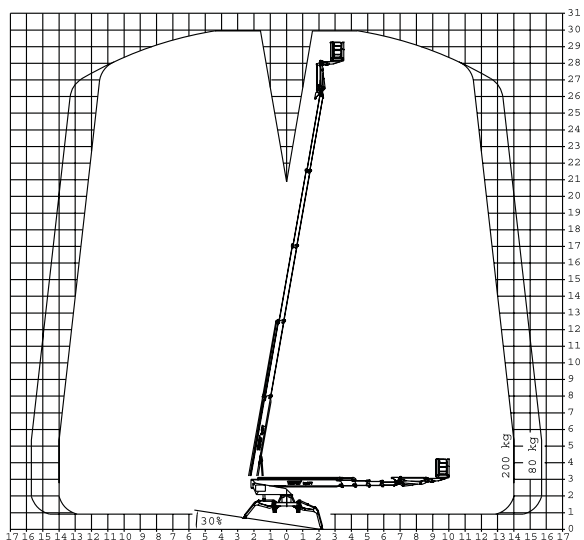
Multi cylinder water cooled KUBOTA diesel engine

230v AC motor for indoor use (400v optional)

Non-marking tracks are standard equipment

Leo 30T

Renowned worldwide for maximum performance and productivity. Feature packed and user friendly, a favourite amongst Spiderlift users.



dimensions in metres



Leo30T dimensions

Max. load platform height:	1050 mm (unload)
Max. load platform width:	2400 mm
Min. load platform length:	5500 mm
Minimum payload:	4225 kg
Wheelbase min.:	4800 mm

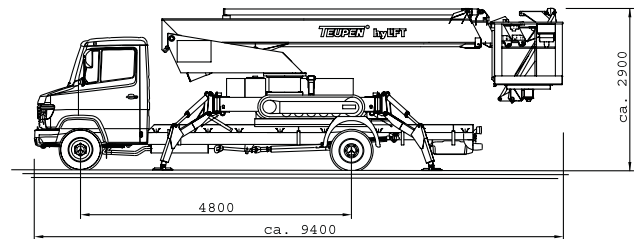
Leo 30 T specifications

Working height:	approx. 30.00 m
Cage floor height:	approx. 28.00 m
Lateral outreach to either side at 200 kgs:	approx. 14.00 m
at 80 kgs:	approx. 15.70 m
Safe load on cage:	200 kgs
Working cage rot. hydr. around:	180°
Swivelling range of art. top boom:	180°
Size of working cage (LxWxH):	approx. 1,2 x 0,8 x 1.1 m
Overall length in travelling position:	approx. 7,20 m
Overall width in travelling position min.:	approx. 1.58 m
Overall height in travelling position min.:	approx. 1.98 m
Range of rotation:	approx. 450°
Total weight:	approx. 4225 kgs
Max. load on jack plate per plate.:	approx. 26 kN
Size of stabilizing jack plate:	approx. 0.31 m x 0.22 m
Surface load in standard work position:	approx. 2.0 kN/m ²
Ground pressure in travelling position:	approx. 5.7 N/cm ²
Standard jacked area (LxW) min.:	approx. 4.89 x 4.34 m
Loading possibility (WxH) max.:	approx. 2.40 x 1.10 m
To be jacked up to ground slope:	approx. 30 %
Chassis to be adj. in height hydr. by:	approx. 0.22 m
Ground clearance:	approx. 0.31 m
Climbability:	approx. 30 %
Travelling speed up to:	approx. 0 to 3 km/h
Range of wireless control:	approx. 100 m
Restricted jacked area (LxW) max.:	approx. 6.22 x 2.58 m
Restricted range of rotation (both sides narrow):	approx. 2 x 20°
(one side narrow):	approx. 220°
Control voltage:	24 V
Electric-drive:	230 V / 400 V
Driving engine	Kubota D 1005-E
	Vertical, water-cooled, 3-cylinder 4-cycle diesel engine
Cubic capacity:	1001 cm ³
Maximum output:	15.1 kW (20 HP)
Fuel type:	Diesel
Noise emission:	Approx. 77 dB (A) (at a distance of 7m)

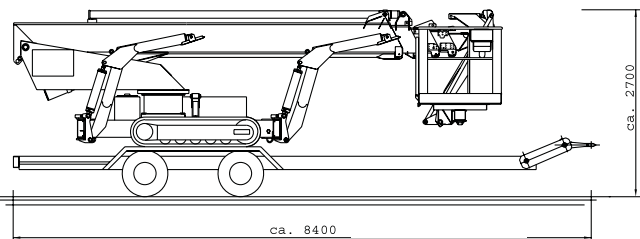
Specifications are subject to change without notice.

Three in one

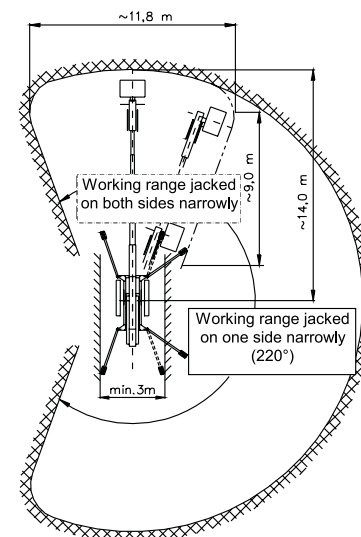
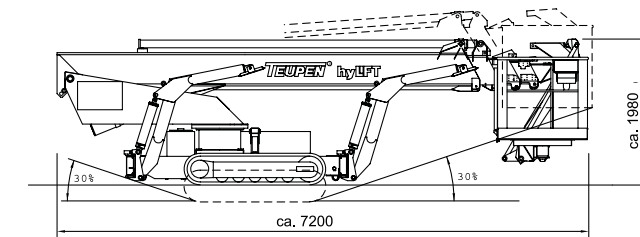
As Truck version



As Trailer version (compressed air brake)



As Self-propelled unit version



Ranger Equipment Limited.
Adelphi Way, Staveley, Chesterfield. S43 3LS.
T 0870 225 5554 F 0207 900 2229
E info@rangergroup.co.uk
www.rangergroup.co.uk

