

SPECIFICATION

ZED 20 C



TECHNICAL DATA

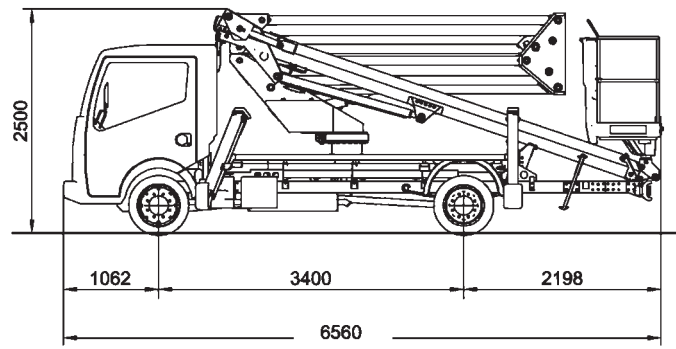
- Double pantograph + telescopic boom (main boom + one extension)
- Sigma boom movement enabled by connecting rods
- 680 degree non continuous turret rotation
- Proportional and electrohydraulic controls in basket and ground
- Engine start and stop controls from basket
- Anti-slip aluminium flatbed decking
- Basket base in composite material with aluminium guardrails
- 65° Right + 65° Left hydraulic basket rotation
- Automatic hydraulically actioned basket levelling
- N° 4 hydraulic outriggers with ground pressure sensors
- Hydraulic system operated by vehicle's PTO
- Buzzer indicating PTO engaged
- Hour meter
- 230 V AC EC electrical socket in the basket
- Standard boom colours blue (RAL 5017) or white (RAL 9010)
- CE certified

PERFORMANCE

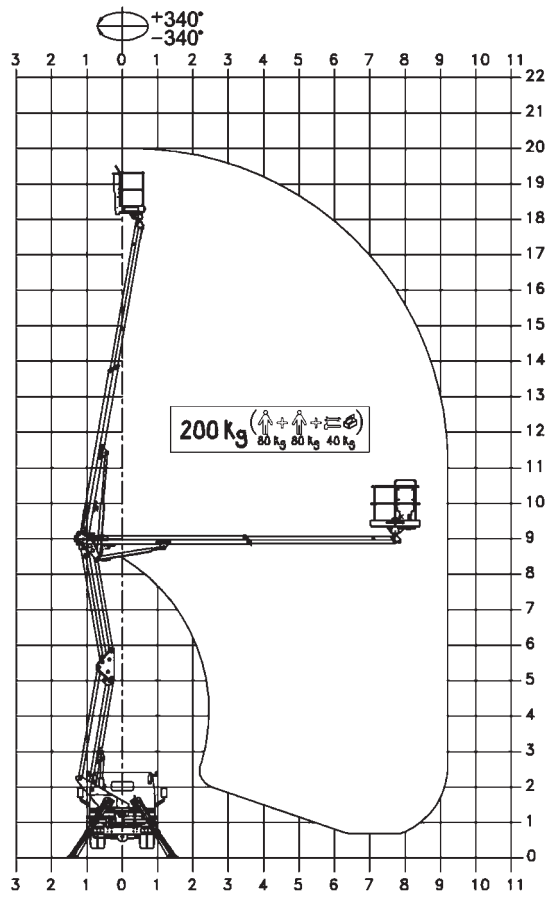
Working height	20 m
Platform height	18 m
Working outreach	9,2 m
Capacity	200 kg
Basket dim.	1400x700x1100 mm
GVW minimum	3,5 t



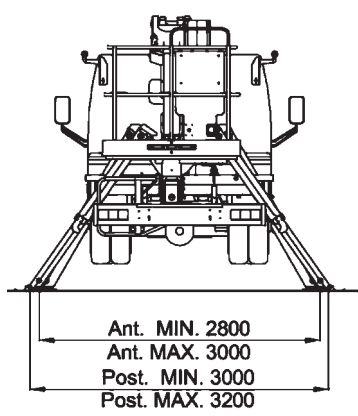
DIMENSIONS



WORKING ENVELOPE



OUTRIGGER FOOTPRINT



KEY POINTS

- Clean top boom, internal mounted services
- Extremely compact
- Basket made of composite material, insulated up to 5000 V (without 230 V socket)
- 680 degree non continuous turret rotation
- No external hoses from basket
- 65° Right + 65° left hydraulic basket rotation
- 200 kg basket capacity throughout entire working area
- Proportional, electrohydraulic controls in basket and ground
- Sigma boom offering ZERO tailswing